

5-2.3 WHITE FUNCTION

Press the WHITE button to activate WHITE MODE in the selected zone.

- ☀ Brightness: • Turn Jog-wheel to increase / decrease brightness.
 - Press Brightness for 2 seconds to set brightness to 100%.
- ☘ Color: • Turn Jog-wheel to fade between Warm White and Cold White.
- ▶▶ Speed: • N/A
- ||▶ Play/Pause • Unit enters SEQUENCE function

5-2.4 i-WASH FUNCTION

Press the i-Wash button to activate iWash function (soft fade on the outer color circle range [RGB]) in the selected zone. In Zone 1 the device replays the color fade sequentially over several devices (see point.6).

- ☀ Brightness: • Turn Jog-wheel to increase / decrease brightness.
 - Press Brightness for 2 seconds to set brightness to 100%.
- ☘ Color: • Unit enters COLOR MODE
- ▶▶ Speed: • Turn Jog-wheel to increase / decrease speed.
 - Memory symbols show the speed as a “bar graph”
- ||▶ Play/Pause • Pauses the current iWash replay (Play/Pause is blinking)

5-2.5 ZONE 1 / ZONE 2 / ZONE X

This unit offers access to three different zones. By pressing the Zone buttons you can access the specified zone. Each Zone button has a LED back-light to mark the currently selected zones.

- Zone 1: • Controls 256 DMX channels on output 1
- Zone 2: • Controls 256 DMX channels on output 2
- Zone X: • This button gives access to an external server via e:bus (Function available Q4/2008, refer to your Traxon Partner for further information.)

5-2.6 IDLE MODE

After 10 seconds without interaction, the unit goes into Idle-Mode automatically.

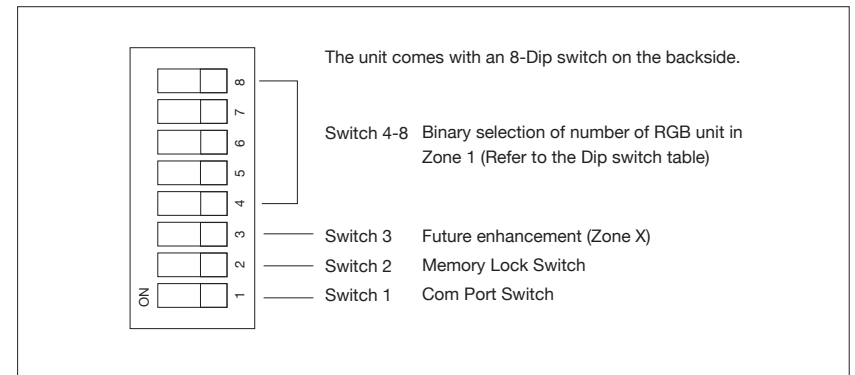
- All LED backlight turn off.
- All active Sequence/i-Wash modes keep running. (If the Proximity Sensor registers any activity, the unit will automatically enter the last active mode.)

5-2.7 SPECIAL FUNCTIONS

Press Zone 1 and Zone 2 button simultaneously and hold for 2 seconds to copy all memory setting (M1-M6) of Zone 1 into Zone 2 (short beep confirms saving).

6. DIP-SWITCH SETTINGS

6-1. DIP OVERVIEW



6-2. MEMORY LOCK SWITCH

A memory lock switch on the backside of the unit disables any user change of memory slot presets.

6-3. SETTING NUMBER OF DEVICES IN ZONE 1

The DIP switch settings allows you to set the number of fixtures/light segments for the dynamic iWash function in Zone 1 (See table below).

The Light-Drive will address the first 31 sets of RGB channels (93 DMX channels), i.e. if all fixtures are set to Auto-Addressing ON, the iWash function will be displayed on the first 31 fixtures only (Illustration 1). In order to set the light segments for the iWash function, please set the fixtures that are to follow one segment to Auto-Addressing OFF (Illustration 2).

Illustration 1

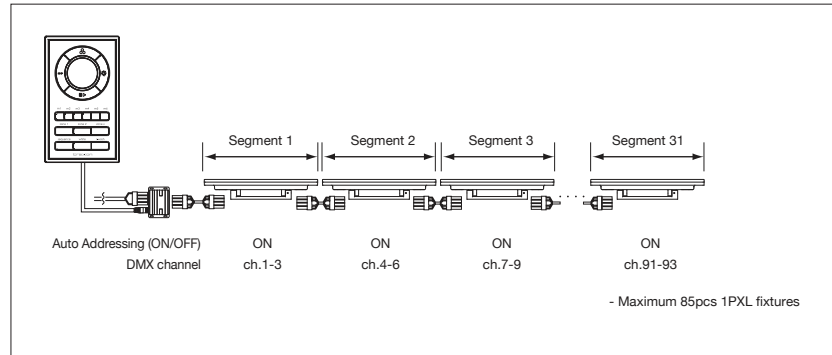
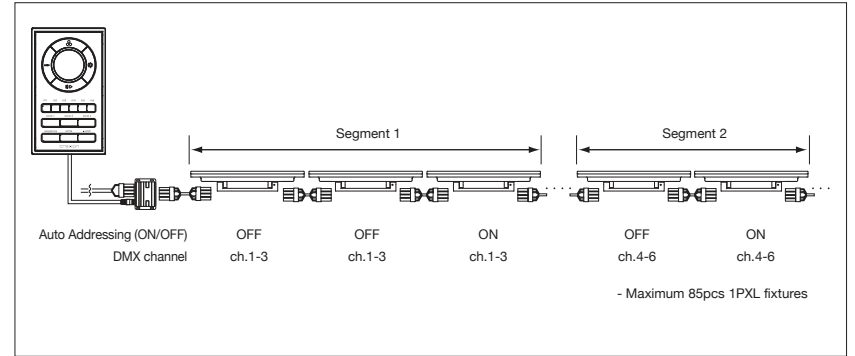


Illustration 2

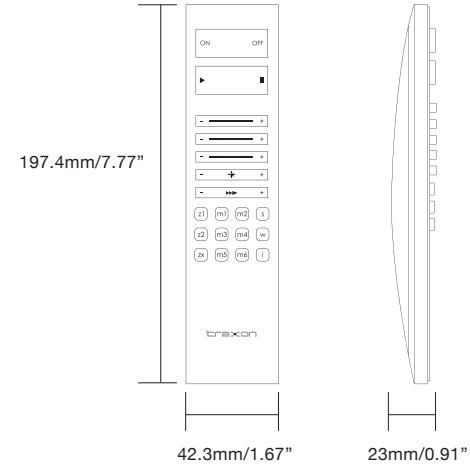


# Fixtures / Light Segments	DIPSWITCH				
	4	5	6	7	8
All	0	0	0	0	0
1	1	0	0	0	0
2	0	1	0	0	0
3	1	1	0	0	0
4	0	0	1	0	0
5	1	0	1	0	0
6	0	1	1	0	0
7	1	1	1	0	0
8	0	0	0	1	0
9	1	0	0	1	0
10	0	1	0	1	0
11	1	1	0	1	0
12	0	0	1	1	0
13	1	0	1	1	0
14	0	1	1	1	0

# Fixtures / Light Segments	DIPSWITCH				
	4	5	6	7	8
15	1	1	1	1	0
16	0	0	0	0	1
17	1	0	0	0	1
18	0	1	0	0	1
19	1	1	0	0	1
20	0	0	1	0	1
21	1	0	1	0	1
22	0	1	1	0	1
23	1	1	1	0	1
24	0	0	0	1	1
25	1	0	0	1	1
26	0	1	0	1	1
27	1	1	0	1	1
28	0	0	1	1	1
29	1	0	1	1	1
30	0	1	1	1	1
31	1	1	1	1	1

7. IR REMOTE CONTROL (SC.AC.0100100)

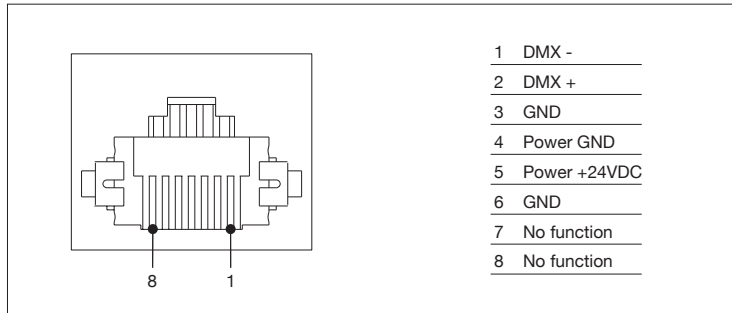
The IR Sensor is able to receive IR signals from the dedicated Light-Drive Infrared Controller. The remote control activates and recalls all functions on the Light-Drive. (Except storing color settings on m1-m6 and zone1 to zone 2 copying.)



8. ELECTRONICS

8-1. PIN ASSIGNMENT OF OUTPUT CONNECTORS

The PIN assignment of the two DMX outputs (female RJ45 ports) is as follows:



8-2. POWER SUPPLY

The unit is powered by an external PSU running at 24 VDC. Power is only supplied via RJ45 pins. Both RJ45 Plugs provide blocking diodes against cross-current of different levels.

8-3. TECHNICAL SPECIFICATIONS

Dimension:	100mm x 170mm x 45mm / 3.93" x 6.69" x 1.77"
Weight:	120g / 0.26lbs
Operating Voltage:	24VDC
Current Consumption:	60mA
Power Consumption:	1.5 Watt
Remote controllable:	Yes
Operating Temperature:	0 °C ~ +50 °C (+32 °F ~ +122 °F)
Environment:	Indoor



9. CARE AND MAINTENANCE

Traxon™ products are of superior design and quality and should be treated with care. The recommendations below will help fulfill warranty obligations and gain maintain a quality product.

- Make sure that the power is switched off before installation and/or maintenance
- Make sure that the products are installed correctly and securely
- For indoor use only
- Keep products in a dry and precipitation free area as this may damage the products' electronics.
- Keep products in a dirt and dust free environment
- Make sure the products are not exposed to extreme heat and that they have sufficient airflow and cool air circulation if required
- Do not attempt to service or repair the products unless done by an authorized service personnel. Contact the local Traxon office or distributor for details
- Do not drop, knock or shake the products as rough handling may damage the electronics and void the warranty
- Do not use harsh chemicals, cleaning solvents or strong detergents to clean. Wipe with a damp cloth on housings and a dry cloth on electronics to remove dirt or dust.

If the products are not working correctly, please contact your nearest authorized service centre or Traxon office for assistance.

10. WARRANTY STATEMENT

Traxon warrants its Products against material or workmanship defects for a period of two (2) years from date of purchase, provided that the purchased items are used under the conditions stated in this user manuals.

Please refer to the Product Warranty section under www.traxontechnologies.com/terms for warranty terms and conditions.